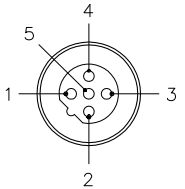
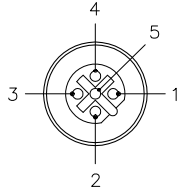
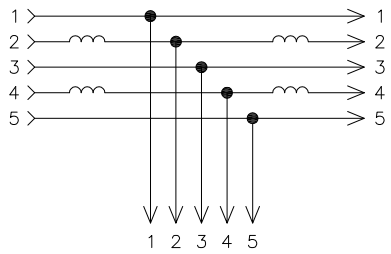




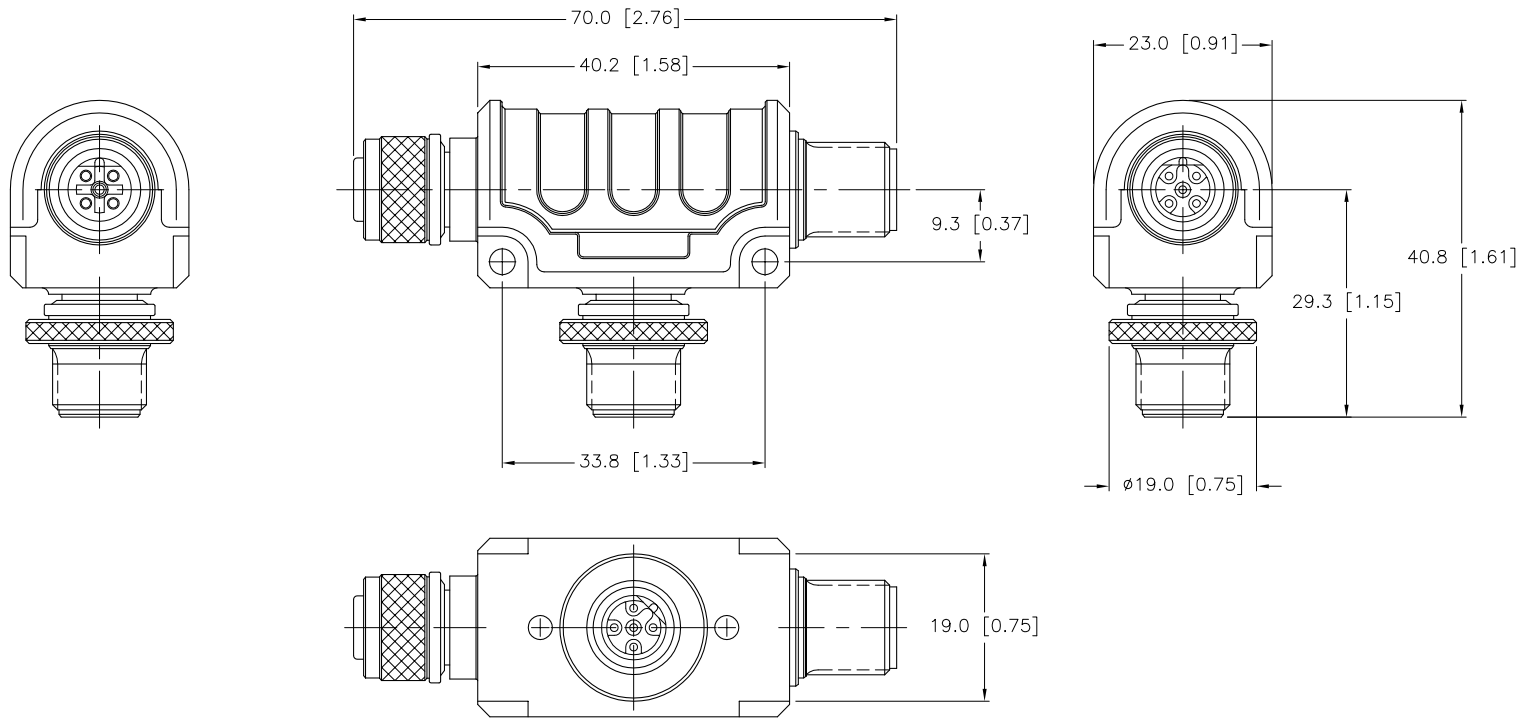
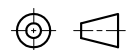



MALE PINOUT	FEMALE PINOUT	WIRING DIAGRAM	SPECIFICATIONS	
			HOUSING MATERIAL	ALUMINUM
 	 		CONTACT CARRIER MATERIAL/COLOR	NYLON/BLACK
			CONTACT MATERIAL/PLATING	BRASS/GOLD
			COUPLING NUT MATERIAL/PLATING	BRASS/NICKEL
			RATED CURRENT [A]	4.0 A
			RATED VOLTAGE [V]	250 V
			TEMPERATURE RANGE	-40°C to +80°C (-40°F to +176°F)
			PROTECTION CLASS	MEETS NEMA 1,3,4,6 AND IEC IP67



SOURCE DRAWING - FOR REFERENCE ONLY

NOTES:
 1. "/S3114" DESIGNATES NO TURCK LOGO OR PART DESCRIPTION ON STANDARD LABEL. LABEL TO INCLUDE ID NUMBER AND DATE CODE.

RELATED DOCUMENTS 1. ESCHA SK_709.41.6 2. 3. 4.		3RD ANGLE PROJECTION 		THIS DRAWING IS PROPERTY OF TURCK INC. USE OF THIS DOCUMENT WITHOUT WRITTEN PERMISSION IS PROHIBITED.		 High Technology Sensors and Automation Controls 3000 CAMPUS DRIVE MINNEAPOLIS, MN 55441 1-800-544-7769 (763) 553-7300 (763) 553-0708 fax turck.com											
MATERIAL		DRFT	CK	DATE	04/12/11	DESCRIPTION RKSX 2RSSW 45/S3114											
FINISH		DSGN		SCALE	1=1	IDENTIFICATION NO. U2-18713											
		UNIT OF MEASUREMENT MILLIMETER [INCH]		DO NOT SCALE THIS DRAWING		REV A											
<table border="1"> <tr> <td>A</td> <td>DRAWING RELEASE</td> <td>CK</td> <td>04/13/11</td> <td></td> </tr> <tr> <td>REV</td> <td>DESCRIPTION</td> <td>BY</td> <td>DATE</td> <td>ECO NO.</td> </tr> </table>		A	DRAWING RELEASE	CK	04/13/11		REV	DESCRIPTION	BY	DATE	ECO NO.	CONTACT TURCK FOR MORE INFORMATION		FILE: U2-18713		SHEET 1 OF 1	
A	DRAWING RELEASE	CK	04/13/11														
REV	DESCRIPTION	BY	DATE	ECO NO.													